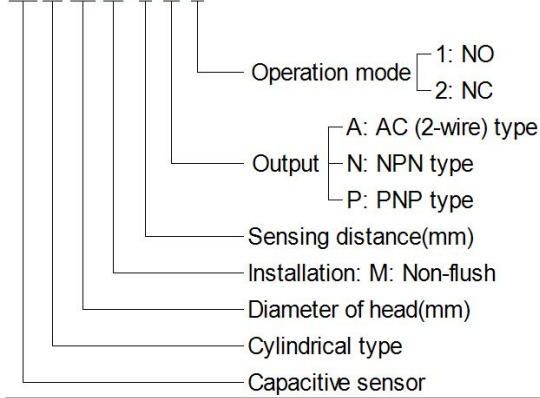


**Description**

**CJM 18 M- 8 N 1**



CJM18M, CJM24M, CJM34M



CJM20M, CJM34M



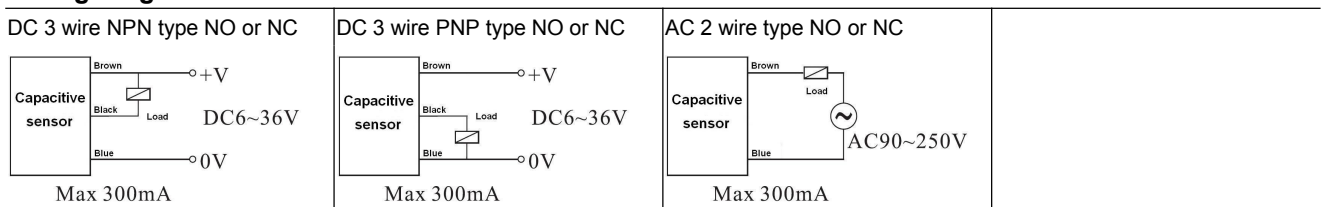
**Specification**

Sensing object	Metal, plastic, glass, wood, water, oil and so on.
Differential travel	10% max. of sensing distance
Power Supply Voltage	DC(NPN, PNP, 2-wire) type: DC12-24V ripple(p-p): 10% max. AC type: 90-250V 50/60Hz
Current consumption	DC(NPN, PNP, 2-wire) type: 8mA/12V, 15mA/24V AC type: 5mA max.
Control output	DC(NPN, PNP) type: 300mA max. DC(2-wire) type:3-100mA max. AC type: 10-300mA max.
Protection circuits	DC(NPN, PNP, 2-wire) type: Load short-circuit protection AC type: Surge suppressor
Ambient temperature	-25 to 65°C (with no icing)
Ambient humidity	35% to 95% RH
Temperature influence	±15% max. of sensing distance at 23°C in the temperature range of -25 to 65°C
Voltage influence	±15% max. of sensing distance at rated voltage in the rated voltage ±15% range
Residual voltage	DC(NPN, PNP) type: 1V max. DC(2-wire) type:3V max. AC(2-wire) type: 7V max.
Insulation resistance	50mΩ min. (at 500VDC) between current-carrying parts and case Load current : 100mA max., Cable length: 2m)
Dielectric strength	DC(NPN, PNP, 2-wire) type: 1,000VAC, 50/60Hz for 1 minute between current-carrying parts and case AC(2-wire) type: 2,000VAC, 50/60Hz for 1 minute between current-carrying parts and case
Vibration resistance	Destruction : 10 to 55Hz, 1.5mm double amplitude for 2 hours each in X, Y, and Z directions
Shock resistance	Destruction : 500m/s(about 50g) 10 times each in X, Y, and Z directions
Degree of protection	IP54~IP67
Materials	Case: CJM18/24/30M with Nickel-plated brass, CJ20/34M with Heat-resistant ABS Sensing surface: Heat-resistant ABS

**Model**

Model		CJM18M	CJM20M	CJM24M	CJM30M	CJM34M	
DC type	NPN	NO	CJM18M-8N1	CJM20M-10N1	CJM24M-10N1	CJM30M-15N1	CJM34M-25N1
		NC	CJM18M-8N2	CJM20M-10N2	CJM24M-10N2	CJM30M-15N2	CJM34M-25N2
	PNP	NO	CJM18M-8P1	CJM20M-10P1	CJM24M-10P1	CJM30M-15P1	CJM34M-25P1
		NC	CJM18M-8P2	CJM20M-10P2	CJM24M-10P2	CJM30M-15P2	CJM34M-25P2
AC type	2 wire	NO	CJM18M-8A1	CJM20M-10A1	CJM24M-10A1	CJM30M-15A1	CJM34M-25A1
		NC	CJM18M-8A2	CJM20M-10A2	CJM24M-10A2	CJM30M-15A2	CJM34M-25A2
Sensing distance		8mm ± 15%	10mm ± 15%	10mm ± 15%	15mm ± 15%	25mm ± 15%	
Response frequency	DC	0.2KHz	0.2KHz	0.2KHz	0.2KHz	0.2KHz	
	AC	25Hz	25Hz	25Hz	25Hz	25Hz	

**Wiring Diagram**



**Dimension(mm)**

CJM18M, CJM24M, CJM30M(Metal case)

CJM20M, CJM34M(Plastic case)



Case	Model	a	b	c	d	e	f	g
Metal case	CJM18M	M18×1	78±0.5	45	9	4	24	(30)
	CJM24M	M24×1.5	80±0.5	45	10	4.5	30	-
	CJM30M	M30×1.5	85±0.5	45	12.5	4.5	36.2	-
Plastic case	CJM20M	Φ 20	84±0.5	54	-	20	(40)	44
	CJM34M	Φ 34	94±0.5	60	-	20	(55)	59